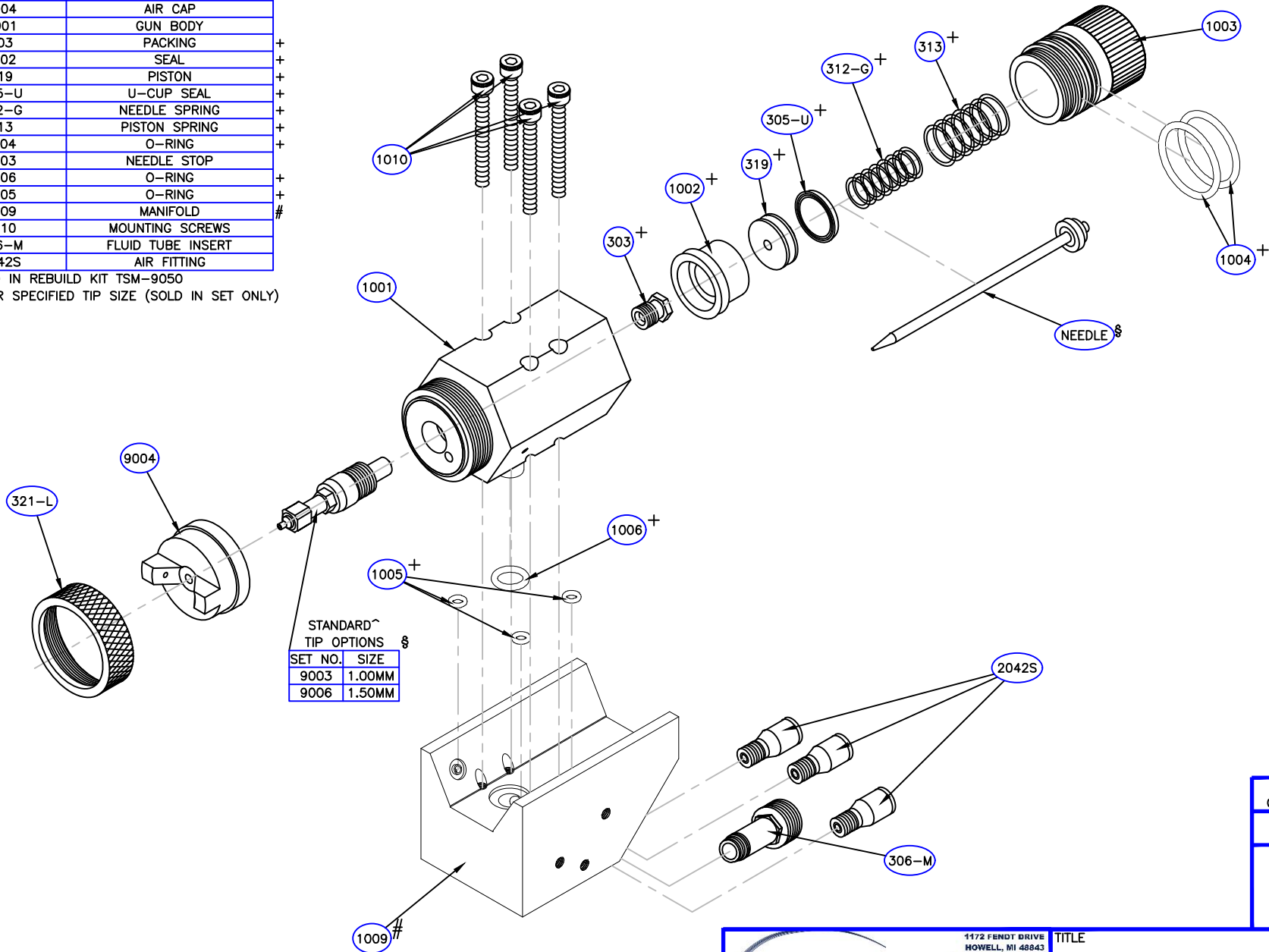


QTY	PART NUMBER	DESCRIPTION
1	321-L	AIR CAP LOCKING RING
1	9004	AIR CAP
1	1001	GUN BODY
1	303	PACKING
1	1002	SEAL
1	319	PISTON
1	305-U	U-CUP SEAL
1	312-G	NEEDLE SPRING
1	313	PISTON SPRING
2	1004	O-RING
1	1003	NEEDLE STOP
1	1006	O-RING
3	1005	O-RING
1	1009	MANIFOLD
4	1010	MOUNTING SCREWS
1	306-M	FLUID TUBE INSERT
3	2042S	AIR FITTING

+ = INCLUDED IN REBUILD KIT TSM-9050
 § = CUSTOMER SPECIFIED TIP SIZE (SOLD IN SET ONLY)



STANDARD~
TIP OPTIONS §

SET NO.	SIZE
9003	1.00MM
9006	1.50MM

GUN MODEL CONFIGURATION	
TSM-1000-	
TIP AND NEEDLE SIZE	
9003	
9006	

1172 FENDT DRIVE
 HOWELL, MI 48843
 PHONE (517) 548-9096
 FAX (517) 548-9328

**TURBO
 SPRAY**

LEADERS IN LOW PRESSURE SINCE 1980!

TITLE		
1000 AUTOMATIC MANIFOLD SPRAY GUN		
DATE	SHEET	PART NO.
02/08/19	1 OF 1	1000
SCALE	DRAWN BY	DRAWING NO.
NONE	JF	1000LAWN.DWG

= CONTACT FOR ADDITIONAL OPTIONS AVAILABLE