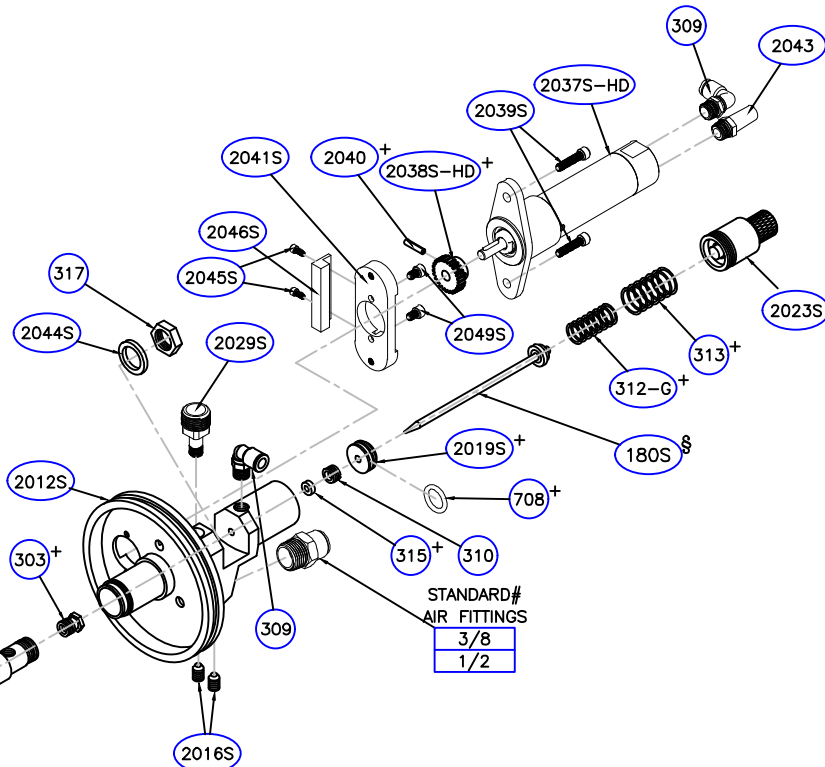
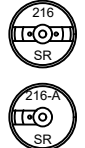


QTY	PART NUMBER	DESCRIPTION
1	321	AIR CAP RING
1	170	1.00MM FLUID TIP
1	302	TIP GASKET
1	2004S	SEAL
1	2005S	SNAP RING
1	2007S	ROTARY BELL
3	2047S	BARREL SCREW
1	2008S	BARREL GEAR
2	2009S	BEARING
2	2010S	SNAP RING
1	2028S	FLUID TUBE
1	303	PACKING
1	2012S	GUN BODY
1	2029S	FLUID TUBE INSERT
1	2044S	WASHER
1	317	FLUID TUBE NUT
1	315	LEATHER PACKING
1	310	PACKING SCREW
1	708	O-RING
1	2019S	PISTON
1	180S	NEEDLE
1	312-G	NEEDLE SPRING
1	313	PISTON SPRING
1	2023S	RATCHET
1	2041S	MOTOR MOUNT ADAPTER
2	2049S	MOUNTING SCREWS
1	2038S-HD	PINION GEAR
1	2037S-HD	AIR MOTOR
1	2040	PINION GEAR PIN
1	2043	MUFFLER
2	309	AIR FITTING
1	2046S	GUARD
2	2045S	MOUNTING SCREWS
2	2016S	SET SCREWS

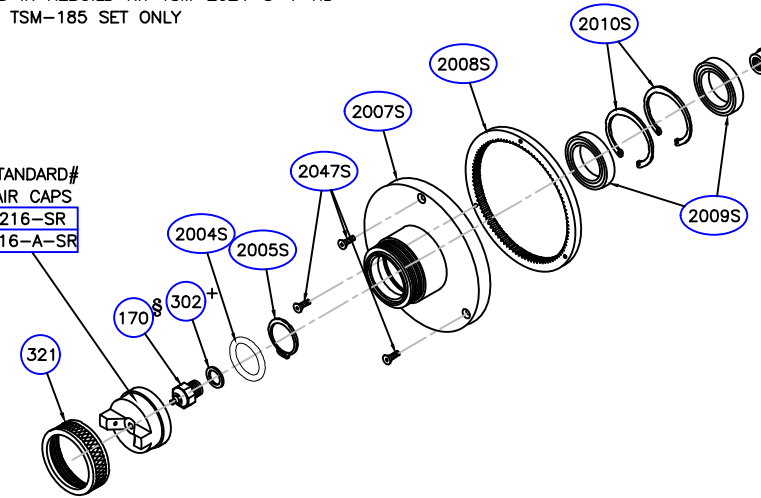
+ = INCLUDED IN REBUILD KIT TSM-2024-S-1-HD
 § = SOLD AS TSM-185 SET ONLY



STANDARD#	AIR FITTINGS
	3/8
	1/2



STANDARD#
AIR CAPS
216-SR
216-A-SR



GUN MODEL CONFIGURATION	
TSM-2001S-	
AIR CAP	
216-SR	<input type="checkbox"/>
216-A-SR	<input type="checkbox"/>
AIR FITTING	
3/8	<input type="checkbox"/>
1/2	<input type="checkbox"/>

1172 FENDT DRIVE
 HOWELL, MI 48843
 PHONE (517) 548-9096
 FAX (517) 548-9328

LEADERS IN LOW PRESSURE SINCE 1980!

TITLE		
2001S SMALL ROTARY SPRAY GUN		
DATE	SHEET	PART NO.
02/06/19	1 OF 1	2001S
SCALE	DRAWN BY	DRAWING NO.
NONE	JF	2001SLAWN.DWG

= CONTACT FOR ADDITIONAL OPTIONS AVAILABLE