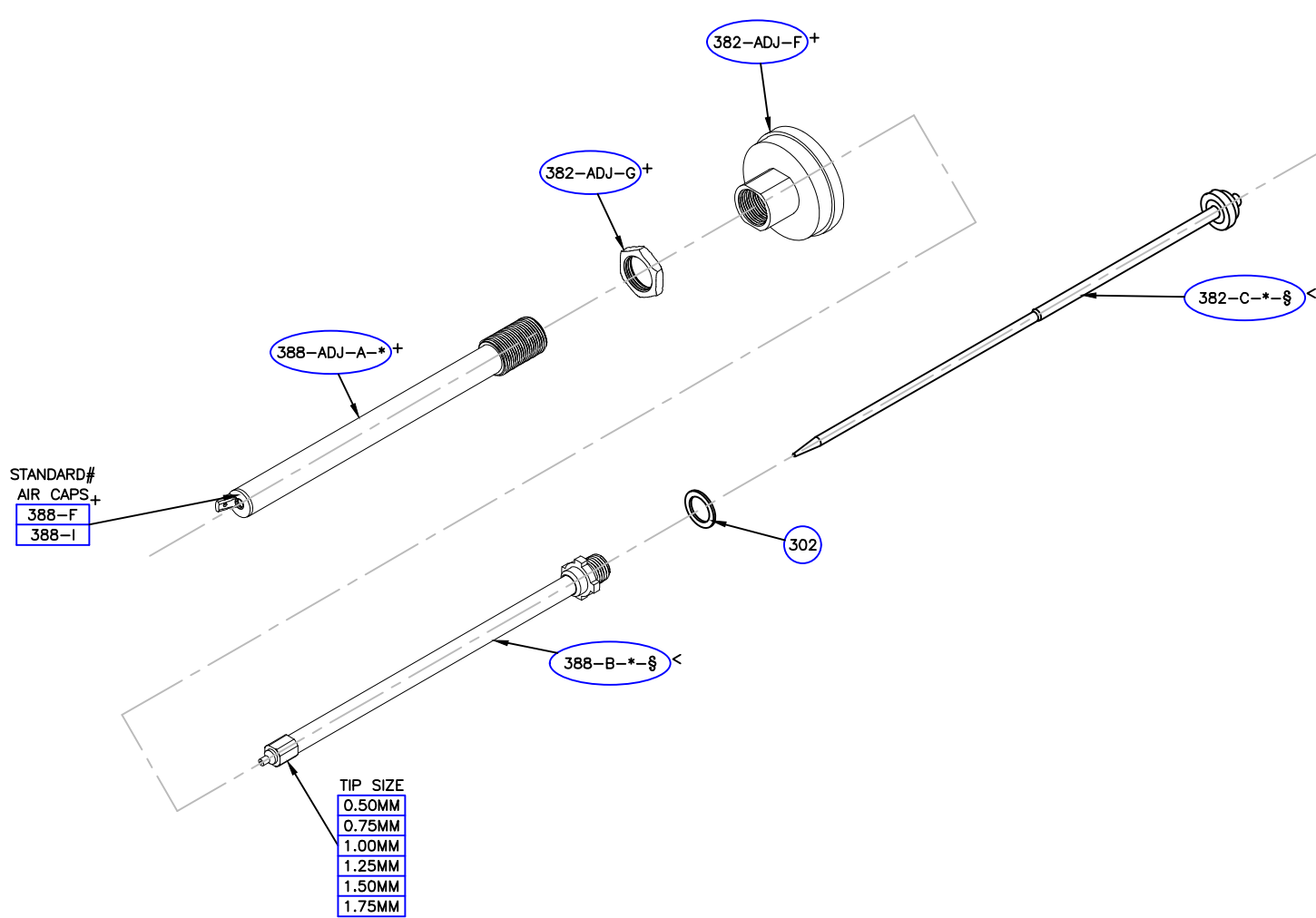
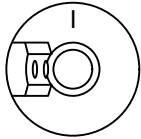
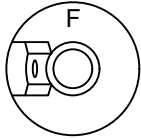


QTY	PART NUMBER	DESCRIPTION
1	388-ADJ-A-*	OUTER TUBE +
1	382-ADJ-G	JAM NUT +
1	382-ADJ-F	ADJUSTABLE EXTENSION BASE +
1	388-B-*-§	INNER FLUID TUBE AND TIP <
1	382-C-*-§	NEEDLE <
1	302	TIP GASKET

< = SOLD AS SET ONLY (TSM-388-D-\*-§)

+ = INCLUDED IN TSM-388-ADJ-A-\*-~ ASSEMBLY



STANDARD#  
AIR CAPS+  
388-F  
388-I

TIP SIZE  
0.50MM  
0.75MM  
1.00MM  
1.25MM  
1.50MM  
1.75MM

EXTENSION MODEL CONFIGURATION

TSM-388-ADJ-

LENGTH	
6	
8	

TIP AND NEEDLE SIZE	
0.50	
0.75	
1.00	
1.25	
1.50	
1.75	

AIR CAP	
F	
I	



1172 FENDT DRIVE  
HOWELL, MI 48843  
PHONE (517) 548-9096  
FAX (517) 548-9328

TITLE  
388 ADJUSTABLE  
3/8" DIAMETER EXTENSION KIT

DATE	SHEET	PART NO.
02/06/19	1 OF 1	388-ADJ
SCALE	DRAWN BY	DRAWING NO.
NONE	JF	388ADJEXTLAWN.DWG

# = CONTACT FOR ADDITIONAL OPTIONS AVAILABLE