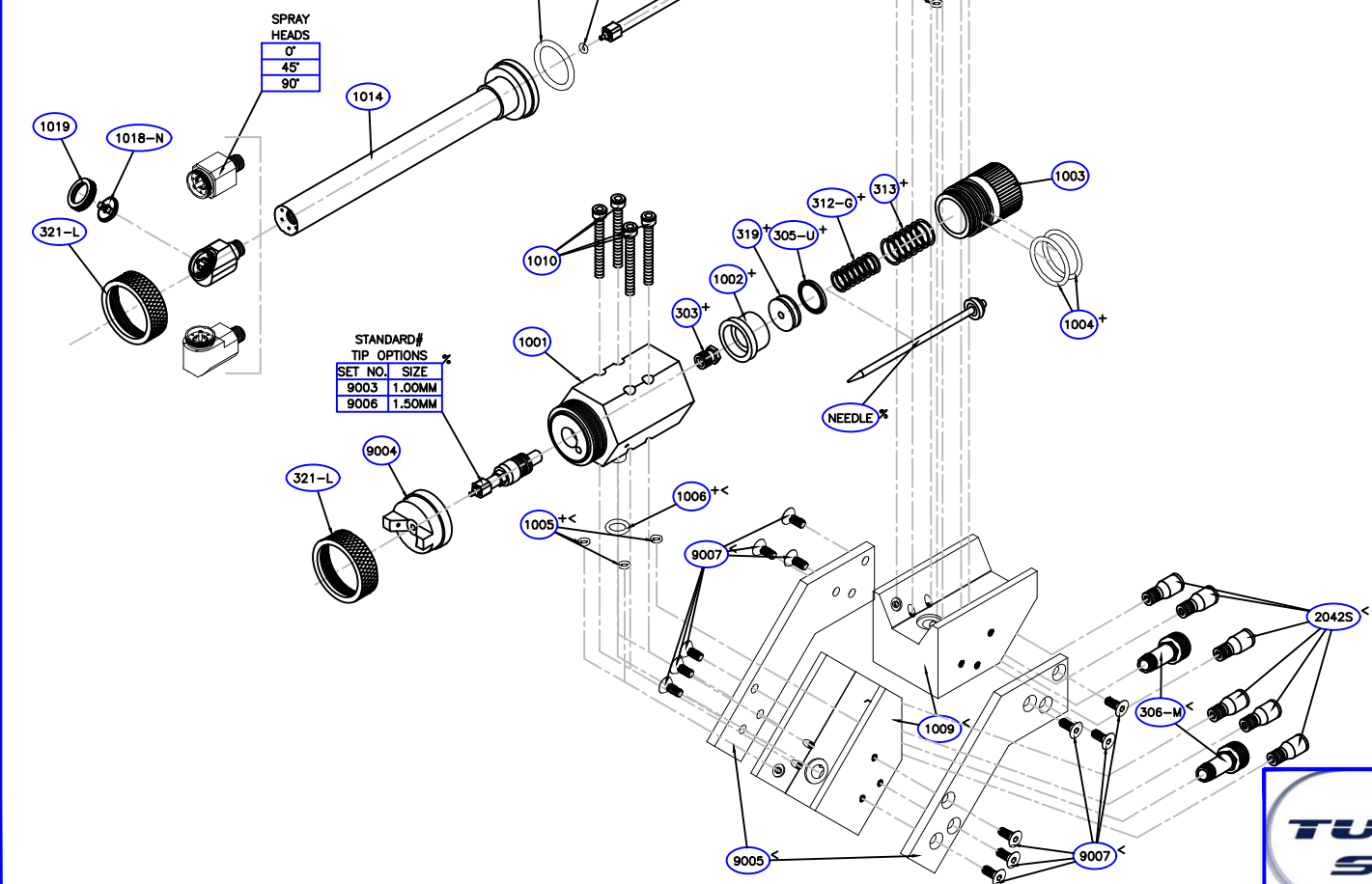


QTY	PART NUMBER	DESCRIPTION
2	321-L	AIR CAP LOCKING RING
1	1019	AIR CAP LOCKING RING
1	1018-N	AIR CAP
1	1014	ANALOG EXTENSION TUBE
1	1008	O-RING
1	395-F-CCL	O-RING
1	1015	INNER FLUID TUBE
2	1001	GUN BODY
2	303	PACKING
2	1002	SEAL
2	319	PISTON
2	305-U	U-CUP SEAL
1	1007	NEEDLE
2	312-G	NEEDLE SPRING
2	313	PISTON SPRING
4	1004	O-RING
2	1003	NEEDLE STOP
2	1006	O-RING
6	1005	O-RING
2	1009	MANIFOLD
8	1010	MOUNTING SCREWS
6	2042S	AIR FITTING
2	306-M	FLUID TUBE INSERT
2	9005	DOUBLE MANIFOLD BRACKET
1	9004	AIR CAP
12	9007	MOUNTING SCREWS

+ = INCLUDED IN REBUILD KIT TSM-1050
 § = SOLD AS TSM-1016 SET ONLY
 < = INCLUDED IN TSM-9010 DUAL MANIFOLD ASSEMBLY
 * = SOLD AS SET ONLY



SPRAY HEADS

0°
45°
90°

STANDARD# TIP OPTIONS

SET NO.	SIZE
9003	1.00MM
9006	1.50MM

GUN MODEL CONFIGURATION	
TSM-9000-	
SPRAY HEAD	
0	
45	
90	
TIP AND NEEDLE SIZE	
9003	
9006	

1172 FENDT DRIVE
 HOWELL, MI 48843
 PHONE (517) 548-9096
 FAX (517) 548-9328

TURBO SPRAY

LEADERS IN LOW PRESSURE SINCE 1980

TITLE		
9000 DUAL GUN SETUP		
DATE	SHEET	PART NO.
02/08/19	1 OF 1	9000
SCALE	DRAWN BY	DRAWING NO.
NONE	JF	9000LAWN.DWG

= CONTACT FOR ADDITIONAL OPTIONS AVAILABLE