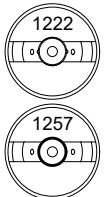


QTY	PART NUMBER	DESCRIPTION
1	321-L	AIR CAP LOCKING RING
4	1205	BODY SCREW
1	1214	PAINT HEAD BODY
4	1237	ALIGNMENT PIN
6	1215	KALREZ O-RING
1	314	PACKING ASSEMBLY
1	311	PACKING NUT
1	1213	BODY O-RING
1	1219	CYLINDER BODY
2	1209	O-RING
1	1206	PISTON
1	1207	U-CUP SEAL
1	1208	O-RING
2	1210	O-RING
2	1212	PISTON SPOOL
1	1211	PISTON SPRING
1	312-G	NEEDLE SPRING
1	1201	RATCHET
1	1218	MANIFOLD
3	1224	MANIFOLD SCREWS
2	1223	SET SCREW
1	1254	TRIGGER FITTING
2	1253	ATOMIZING/FAN FITTING
2	306	FLUID TUBE INSERT
1	1247	RECIRC PLUG

+ = INCLUDED IN REBUILD KIT TSM-1250  
 < = INCLUDED IN PISTON O-RING KIT TSM-1251  
 # = USED FOR NON-RECIRC OPTION ONLY

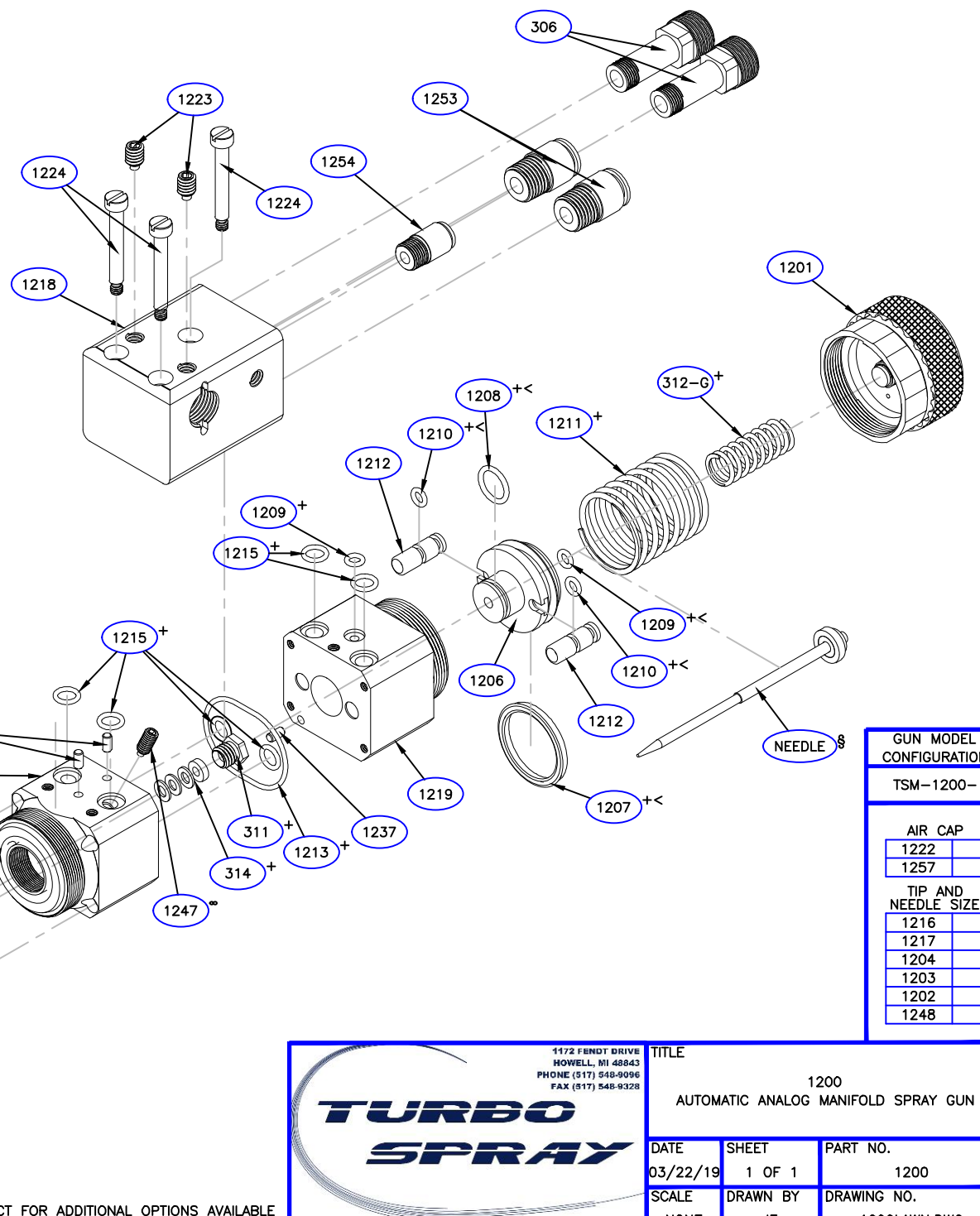


TIP OPTIONS

SET NO.	SIZE
1216	0.50MM
1217	0.75MM
1204	1.00MM
1203	1.25MM
1202	1.50MM
1248	1.75MM

STANDARD#  
AIR CAPS

1222
1257



GUN MODEL CONFIGURATION	
TSM-1200-	
AIR CAP	
1222	<input type="checkbox"/>
1257	<input type="checkbox"/>
TIP AND NEEDLE SIZE	
1216	<input type="checkbox"/>
1217	<input type="checkbox"/>
1204	<input type="checkbox"/>
1203	<input type="checkbox"/>
1202	<input type="checkbox"/>
1248	<input type="checkbox"/>

1172 FENDT DRIVE  
 HOWELL, MI 48843  
 PHONE (517) 548-9096  
 FAX (517) 548-9328

LEADERS IN LOW PRESSURE SINCE 1980!

TITLE		
1200 AUTOMATIC ANALOG MANIFOLD SPRAY GUN		
DATE	SHEET	PART NO.
03/22/19	1 OF 1	1200
SCALE	DRAWN BY	DRAWING NO.
NONE	JF	1200LAWN,DWG

# = CONTACT FOR ADDITIONAL OPTIONS AVAILABLE