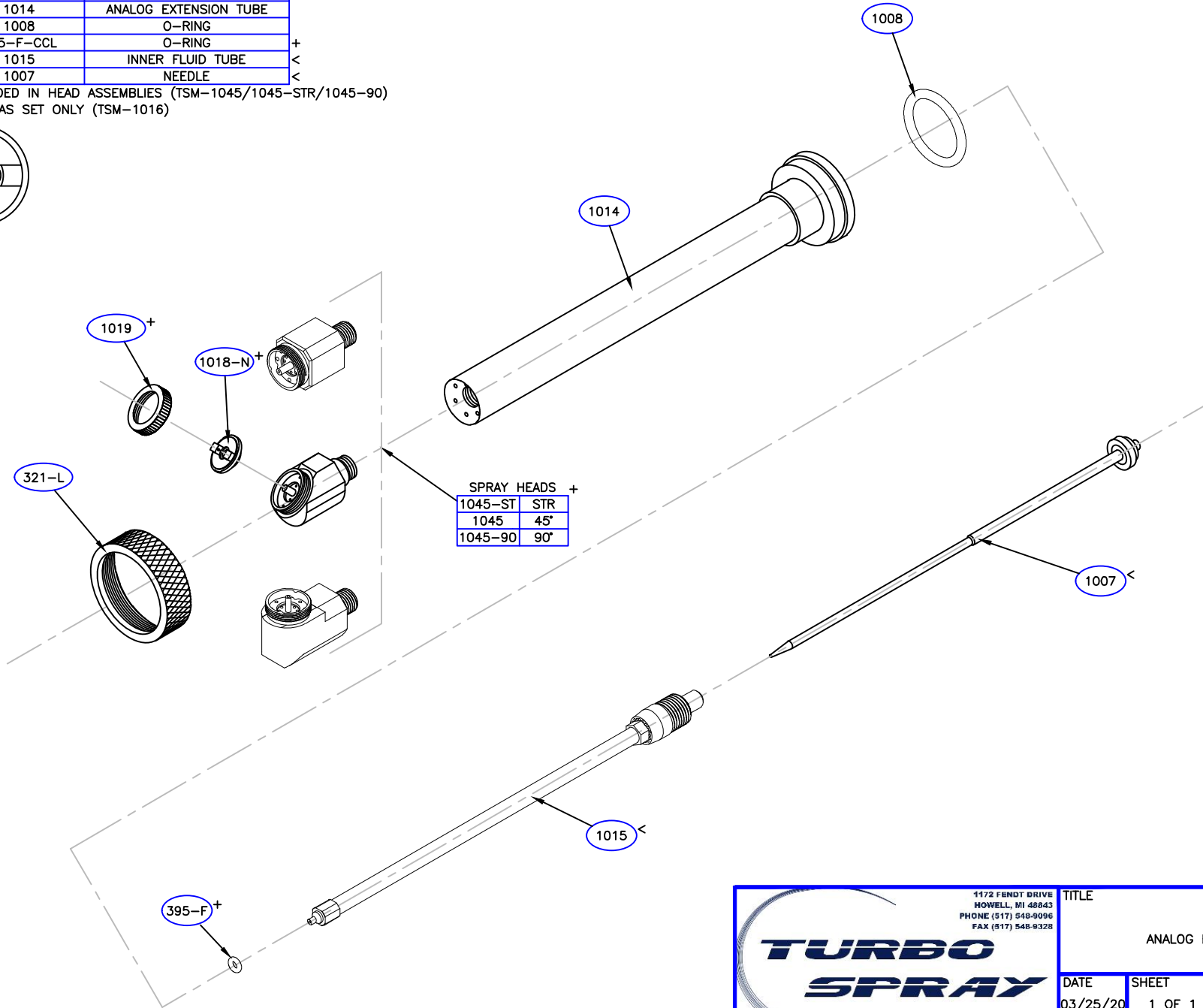
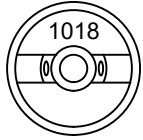


| QTY | PART NUMBER | DESCRIPTION |
|-----|-------------|-----------------------|
| 1 | 321-L | AIR CAP LOCKING RING |
| 1 | 1019 | AIR CAP LOCKING RING |
| 1 | 1018-N | AIR CAP |
| 1 | 1014 | ANALOG EXTENSION TUBE |
| 1 | 1008 | O-RING |
| 1 | 395-F-CCL | O-RING |
| 1 | 1015 | INNER FLUID TUBE |
| 1 | 1007 | NEEDLE |

+ = INCLUDED IN HEAD ASSEMBLIES (TSM-1045/1045-STR/1045-90)
 < = SOLD AS SET ONLY (TSM-1016)



SPRAY HEADS +

| | |
|---------|-----|
| 1045-ST | STR |
| 1045 | 45° |
| 1045-90 | 90° |

EXTENSION MODEL CONFIGURATION

TSM-1017-

SPRAY HEAD

| | |
|-----|--|
| STR | |
| 45 | |
| 90 | |

1172 FENDT DRIVE
 HOWELL, MI 48843
 PHONE (517) 548-9096
 FAX (517) 548-9328

**TURBO
 SPRAY**

LEADERS IN LOW PRESSURE SINCE 1980!

| TITLE | | |
|------------------------------|----------|-----------------|
| 1017 ANALOG EXTENSION KIT | | |
| DATE | SHEET | PART NO. |
| 03/25/20 | 1 OF 1 | 1017 |
| SCALE | DRAWN BY | DRAWING NO. |
| NONE | JF | 1017EXTLAWN.DWG |

= CONTACT FOR ADDITIONAL OPTIONS AVAILABLE