

QTY	PART NUMBER	DESCRIPTION
1	321-W	AIR CAP LOCKING RING
1	302	TIP GASKET
1	322	DISTRIBUTOR
1	830	FLUID TUBE
1	303	PACKING
1	834G	COLLECTOR BODY
1	829	FLUID TUBE INSERT
1	810	O-RING
1	317	FLUID TUBE NUT
1	324	FAN CONTROL KNOB
1	326	FAN CONTROL SPRING
1	325	FAN CONTROL SCREW
1	841P-G	HANDLE
1	807	TRIGGER
1	808	TRIGGER AXLE
1	811	NEEDLE SPRING
1	812	NEEDLE STOP ASSEMBLY
1	813	NEEDLE STOP SPRING
1	814	LEATHER STRAP

+/@ = INCLUDED IN REBUILD KIT TSM-850-G-1***

< = SOLD AS TSM-327 SET ONLY ***

+/% = INCLUDED IN REBUILD KIT TSM-850-C***

CUP OPTIONS

NO.	SIZE
SM	63ML
MD	300ML
LG	600ML

PACKING OPTIONS

WINGED STYLE ***

TIP OPTIONS

SET NO.	SIZE
124	1.00MM
125	1.25MM
126	1.50MM
127	1.75MM
133	2.00MM
137	2.50MM

STANDARD ***

AIR CAPS #

215
216
218
230
320

HEX STYLE ***

TIP OPTIONS

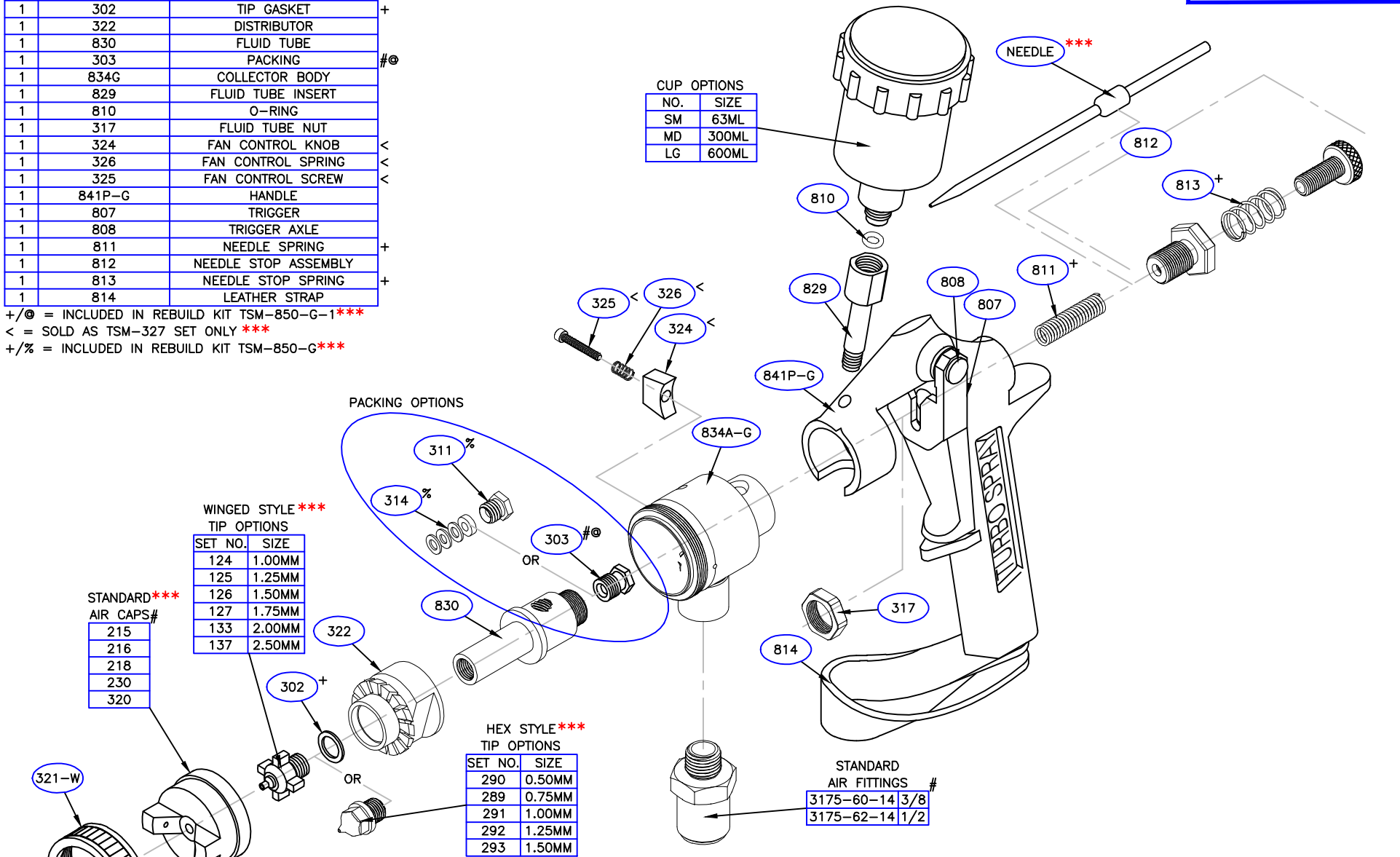
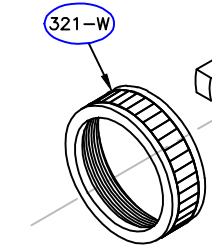
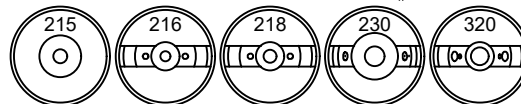
SET NO.	SIZE
290	0.50MM
289	0.75MM
291	1.00MM
292	1.25MM
293	1.50MM

STANDARD

AIR FITTINGS #

3175-60-14	3/8
3175-62-14	1/2

STANDARD AIR CAP OPTIONS #



MODEL #:
840P-G

ORDERS/PRICING:
(517) 548-9096
ORDERS@TURBOSPRAY.COM

1172 FENDT DRIVE
HOWELL, MI 48843
PHONE (517) 548-9096
FAX (517) 548-9328

**TURBO
SPRAY**

*** = RECOMMENDED SPARE PARTS TO PREVENT DOWN TIME
= CONTACT FOR ADDITIONAL OPTIONS AVAILABLE