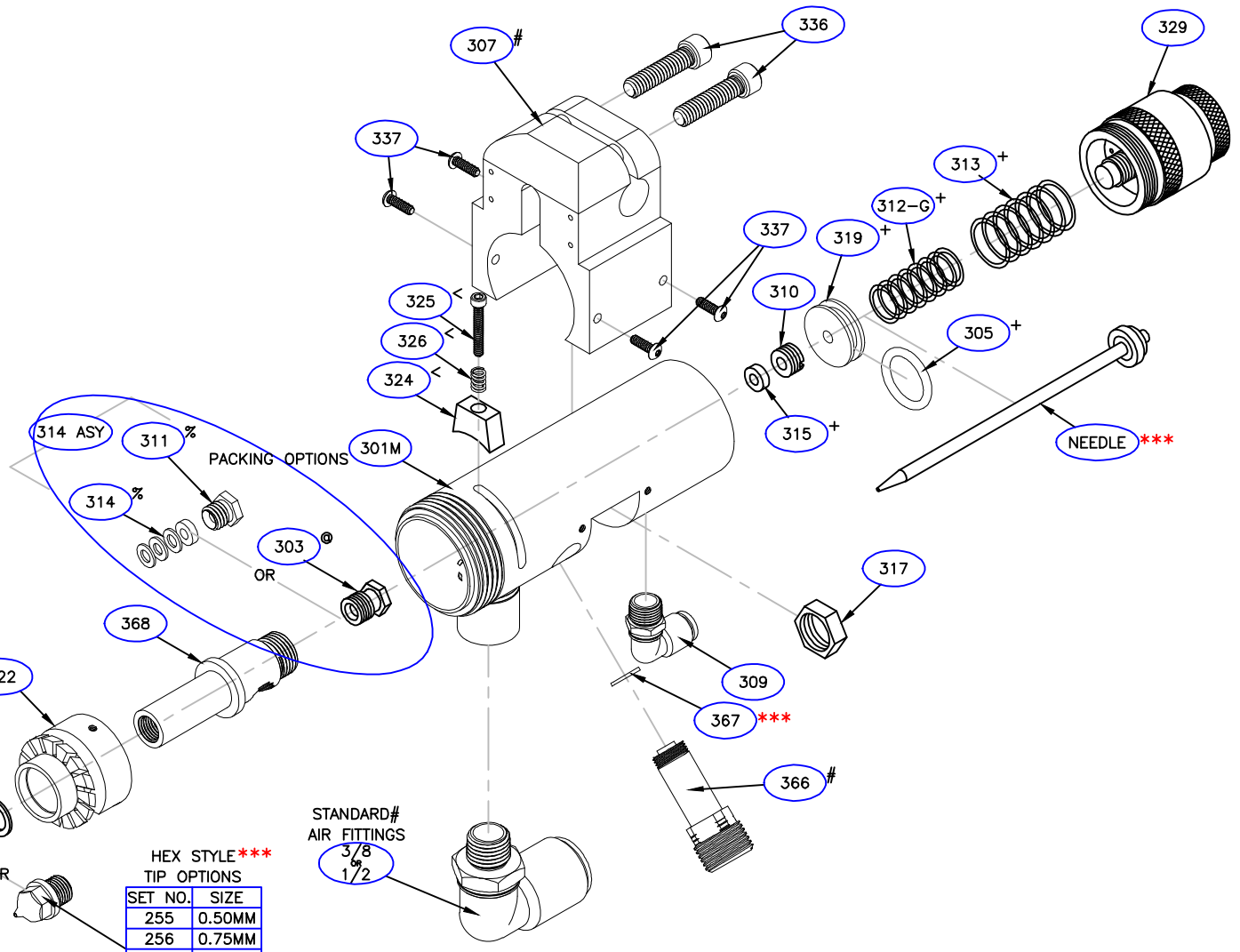


QTY	PART NUMBER	DESCRIPTION
1	321-W	AIR CAP LOCKING RING
1	302	TIP GASKET
1	322	DISTRIBUTOR
1	368	FLUID TUBE
1	303	PACKING
1	301M	GUN BODY
1	367	CRUSH WASHER
1	366	FLUID TUBE INSERT
1	317	FLUID TUBE NUT
1	324	FAN CONTROL KNOB
1	326	FAN CONTROL SPRING
1	325	FAN CONTROL SCREW
1	309	TRIGGER FITTING
1	315	LEATHER PACKING
1	310	PACKING SCREW
1	319	PISTON
1	305	O-RING
1	312-G	NEEDLE SPRING
1	313	PISTON SPRING
1	329	RATCHET
1	307	NYLON GUN BRACKET
2	336	GUN MOUNTING SCREWS
4	337	BRACKET MOUNTING SCREWS

+/@ = INCLUDED IN REBUILD KIT TSM-350-G-1\*\*\*  
 < = SOLD AS TSM-327 SET ONLY \*\*\*  
 +/% = INCLUDED IN REBUILD KIT TSM-350-G\*\*\*



STANDARD\*\*\*  
AIR CAPS#

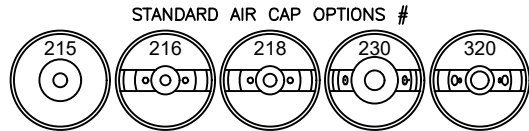
215
216
218
230
320

WINGED STYLE\*\*\*  
TIP OPTIONS

SET NO.	SIZE
120	1.00MM
121	1.25MM
122	1.50MM
129	1.75MM
131	2.00MM
139	2.50MM

HEX STYLE\*\*\*  
TIP OPTIONS

SET NO.	SIZE
255	0.50MM
256	0.75MM
257	1.00MM
259	1.25MM
260	1.50MM



MODEL #: **300M**

ORDERS/PRICING:  
(517) 548-9096  
ORDERS@TURBOSPRAY.COM

1172 FENDT DRIVE  
HOWELL, MI 48843  
PHONE (517) 548-9096  
FAX (517) 548-9328

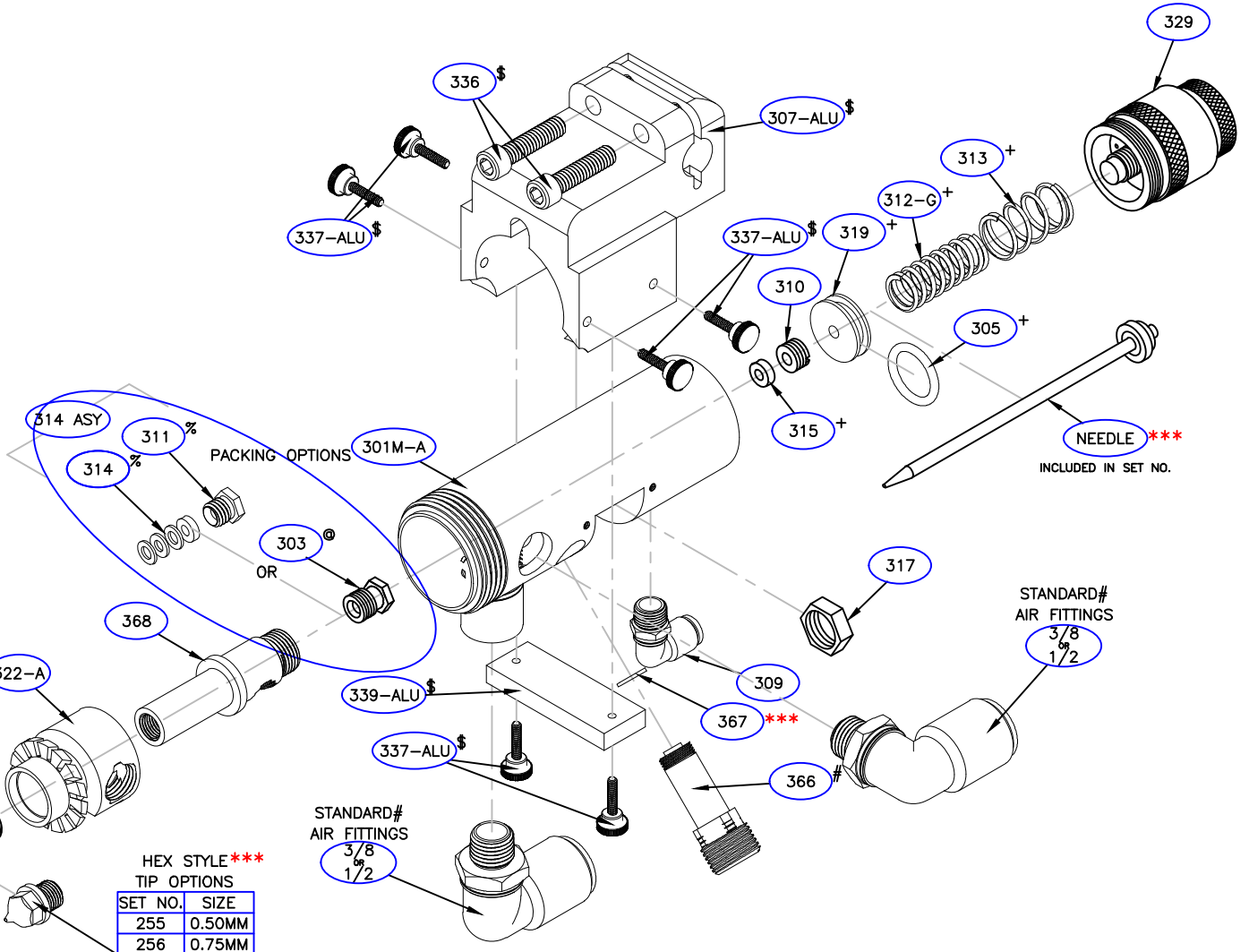
**TURBO  
SPRAY**

LEADERS IN LOW PRESSURE SINCE 1980!

\*\*\* = RECOMMENDED SPARE PARTS TO PREVENT DOWN TIME  
 # = CONTACT FOR ADDITIONAL OPTIONS AVAILABLE

QTY	PART NUMBER	DESCRIPTION
1	321-W	AIR CAP LOCKING RING
1	302	TIP GASKET
1	322-A	ANALOG DISTRIBUTOR
1	368	FLUID TUBE
1	301M-A	GUN BODY
1	367	CRUSH WASHER
1	366	FLUID TUBE INSERT
1	317	FLUID TUBE NUT
1	309	TRIGGER FITTING
1	315	LEATHER PACKING
1	310	PACKING SCREW
1	319	PISTON
1	305	O-RING
1	312-G	NEEDLE SPRING
1	313	PISTON SPRING
1	329	RATCHET
1	307-ALU	ALUMINUM GUN BRACKET
2	336	GUN MOUNTING SCREWS
1	339-ALU	BRACKET BELLY COVER
6	337-ALU	BRACKET MOUNTING SCREWS

+/@ = INCLUDED IN REBUILD KIT TSM-350-G-1\*\*\*  
 +/% = INCLUDED IN REBUILD KIT TSM-350-G\*\*\*  
 \$ = INCLUDED IN TSM-307-ALU ASSEMBLY



WINGED STYLE \*\*\*  
TIP OPTIONS

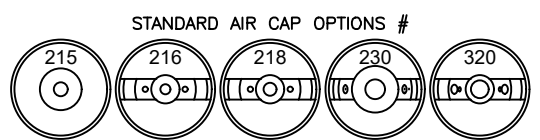
SET NO.	SIZE
120	1.00MM
121	1.25MM
122	1.50MM
129	1.75MM
131	2.00MM
139	2.50MM

STANDARD \*\*\*  
AIR CAPS #

215
216
218
230
320

HEX STYLE \*\*\*  
TIP OPTIONS

SET NO.	SIZE
255	0.50MM
256	0.75MM
257	1.00MM
259	1.25MM
260	1.50MM



MODEL #:  
**300M-A-ALU**

ORDERS/PRICING:  
(517) 548-9096  
ORDERS@TURBOSPRAY.COM

1172 FENDT DRIVE  
HOWELL, MI 48843  
PHONE (517) 548-9096  
FAX (517) 548-9328

**TURBO  
SPRAY**

LEADERS IN LOW PRESSURE SINCE 1980!

\*\*\* = RECOMMENDED SPARE PARTS TO PREVENT DOWN TIME  
 # = CONTACT FOR ADDITIONAL OPTIONS AVAILABLE